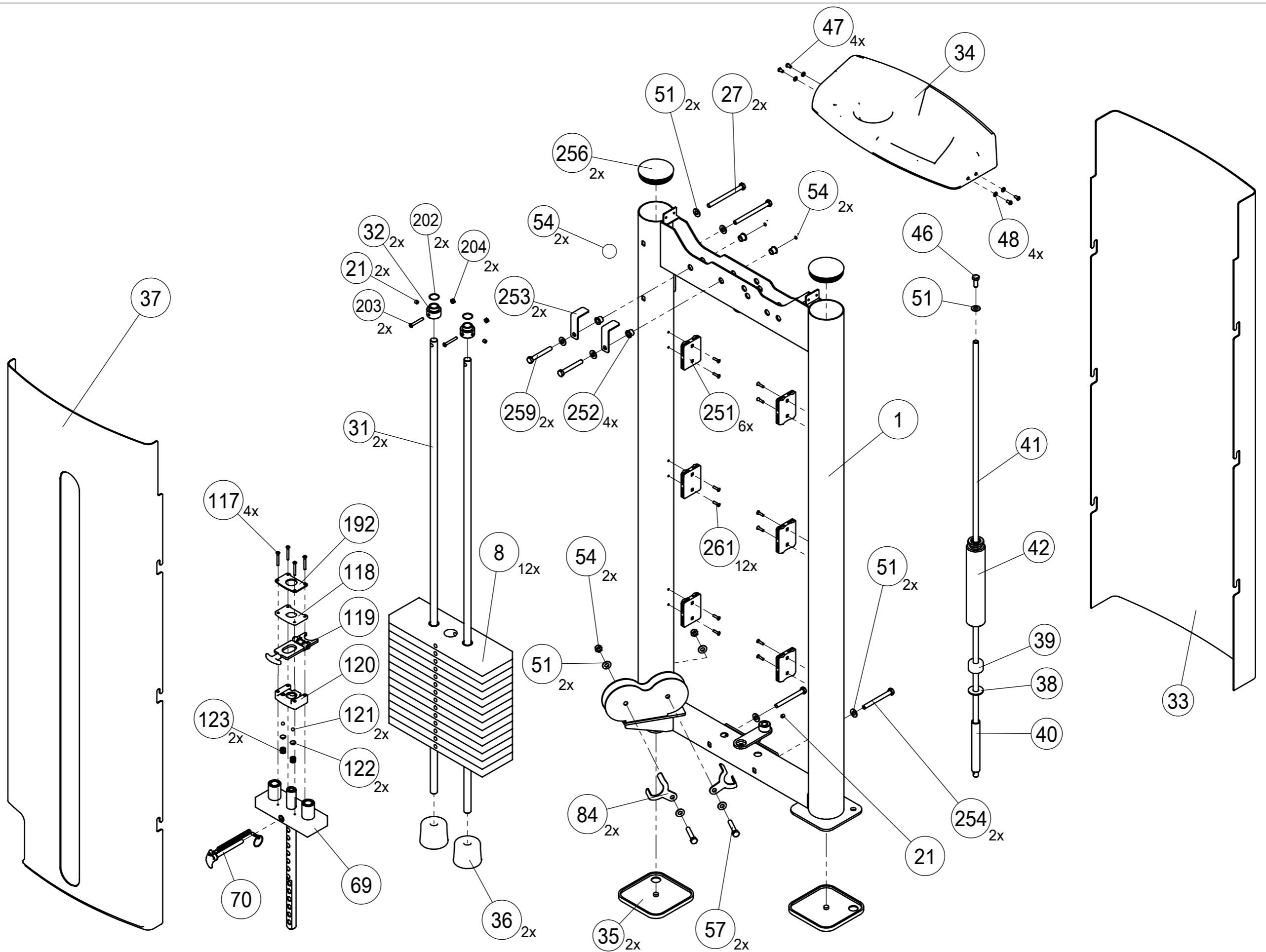


C026ES Pull down/Row	P/N CW36203-101	Subrev:D
Drawn By:	Date:	Sheet 1 of 2



C026ES Pull down/Row	P/N CW36203-101	Subrev:D
Drawn By:	Date:	Sheet 2 of 2

Bubble#	OEM Number	Description
1	PPP000CWR260100101	WELDMENT, WT TOWER
2	PPP000CWR262100101	HANDLE GRIP
3	PPP000CWR050079101	END CAP DIA 25
4	PPP000CWR050080101	HANDLE RING, DIA 25
5	PPP00000ECCN005003	SET SCREW, CUP, M5 X 3
6	PPP000CWR010054101	LARGE SEAT BACK
7	PPP000CWR267400102	ASSY, LAT BAR
8	PPP000CWR101400101	ASSY, 15 LBS WT PLATE
9	PPP000CWR261600101	ASSY, CABLE
10	PPP000CWR261500102	ASSY, CABLE (ADJUSTED)
11	PPP000CWR010100101	END CAP
12	PPP000CWR021700901	WELDMENT, FORM TUBE
13	PPP000CWR111700101	SMALL ROLLER,BLACK
19	PPP000CWR022900101	STOP RING
20	PPP000CWR267600101	ASSY, FOOT STOP
21	PPP00000ECCN008008	SET SCREW, CUP, M8 X 8
22	PPP00000HMCE010030	SCREW, HEX HD, METRIC, M10 X 030L N
23	PPP00000HMCN010030	SCREW, HEX HD, METRIC, M10 X 030L
25	PPP00000HMCN010080	SCREW, HEX HD, METRIC, M10 X 080L
26	PPP00000HMCN010100	SCREW, HEX HD, METRIC, M10 X 100L
27	PPP00000HMCN010125	SCREW, HEX HD, METRIC, M10 X 125L
28	PPP00000KCCN010010	LOCKNUT,M10 X 10,ZN (NM10-2)
29	PPP00000MAKCN010025	SCREW, FLAT HD, HEX SOCKET, M10 X 2
30	PPP00000WKCN011002	WASHER, FLT,11MM X 23MM X 2.0MM,ZN
31	PPP000CWR010086901	GUIDE ROD
32	PPP000CWR010087102	MOUNT SLEEVE (NEW)
33	PPP000CWR010095103	SHROUD REAR, ABS
34	PPP000CWR010096101	WT TOWER TOP CAP
35	PPP000CWR010106101	WEIGHT STACK BUMPER
37	PPP000CWR190043103	SHROUD, FRONT,ABS
38	PPP000CWR250900101	SUPPORT RING
39	PPP000CWR251000101	ADD-ON WEIGHT BUFFER
40	PPP000CWR264200101	SUPPORT TUBE
41	PPP000CWR265100901	ADD-ON WT GUIDE ROD
42	PPP000CWR265200101	7.5 LBS ADD-ON WEIGHT
49	PPP00000WKCN011002	WASHER, FLT,11MM X 23MM X 2.0MM,ZN
50	PPP000CWR010082101	PULLEY, 4.5 in.
54	PPP00000KCCN010010	LOCKNUT,M10 X 10,ZN (NM10-2)
55	PPP000CWR050056101	FOOT COVER
57	PPP00000HMCN010055	SCREW, HEX HD, METRIC, M10 X 055L
62	PPP000CWR050082101	KNOB, POP PIN, CITRON
69	PPP000CWR261200101	ASSY, TOP PLATE
70	PPP000CWR272500101	WEIGHT SELECT PIN

73 PPP000CWR260200101 WELDMENT, GROUND TUBE
74 PPP000CWR274900101 END CAP
75 PPP000CWR264600101 SHAFT
77 PPP000CWR026100101 GRIP
78 PPP00000KCCN012010 LOCKNUT,M12 X 10,ZN (NM10-2)
79 PPP00000TECN012100 SCREW, HEX SOCKET, BTTNHD, M12 X 10
80 PPP00000WKCN013002 WASHER, FLAT, 13MM X 22MM X 2.0MM,
81 PPP00000CECN010050 SCREW, HEX SKHD, M10 X 1.5 X 50 (GB
83 PPP000CWR010105101 PULLEY COVER
84 PPP000CWR010129101 FORK CABLE STOP
85 PPP000CWR260400101 WELDMENT, TOP FRAME
86 PPP000CWR264300101 LAT BAR HOLDER
94 PPP000CWR260500101 WELDMENT, PULLEY HOLDER
106 PPP000CWR141600101 RUBBER SLEEVE
108 PPP00000CECN008020 SCREW, HEX SKHD, M8 X 20 (GB70M8X20
111 PPP00000ECCN005003 SET SCREW, CUP, M5 X 3
112 PPP000CWR260300101 WELDMENT, VERTICAL FRAME
113 PPP000CWR260700101 WELDMENT, HANDLE HOLDER
114 PPP000CWR264400101 HOLE PLATE
115 PPP00000HMCE010015 SCREW, HEX HD, METRIC, M10 X 015L N
116 PPP00000HMCN010050 SCREW, HEX HD, METRIC, M10 X 050L
117 PPP00000TECE005040 SCREW, HEX SOCKET, BTTNHD, M5 X 40
118 PPP000CWR251600101 TOP COVER PLATE
119 PPP000CWR256500102 ASSY, ADD-ON WT FORK SHORTER
120 PPP000CWR251700101 BASE
121 PPP000CWR252000101 STEEL BALL
122 PPP000CWR251800101 BALL SEAT
123 PPP000CWR251900101 SPRING
124 PPP000CWR261700101 SNAP PIN
125 PPP000CWR262800101 END CAP
126 PPP00000KCCN008008 LOCKNUT, M8 X 8,ZN (NM10-2)
127 PPP00000WKCN009002 WASHER, FLT,9MM X 16MM X 1.6MM,ZN
186 PPP000CWR020002101 LABEL, WEIGHT PLATE, 220 LB, S-LINE
187 PPP000CWR010125101 LABEL,GENERAL WARNING STRENGTH, POR
188 PPP000CWR260002101 LABEL,PRECOR BADGE, PULLDOWN/SEATED
189 PPP000CWR260001141 LABEL, INSTRUCTIONAL, PULLDOWN/SEAT
192 PPP000CWR252400101 STEEL TOP COVER
195 PPP000CWR260005101 LABEL, ROLLER ADJUST, PULLDOWN/SEAT
200 PPP000CWR269990102 C026ES, PULLDOWN/ROW HARDWARE PACK
201 PPP000000079000141 C026ES, PULLDOWN/ROW ENGLISH KIT, V
202 PPP000CWR010058101 O RING, 23MM ID
203 PPP00000TECN006045 BHCS,M6 X 45,STL,CLR ZN
204 PPP00000KCCN006006 NUT,LOCK,HALF,M6,NYLON INSERT,STL,C
205 PPP00000CW58106101 CS KIT, S-LINE GUIDE ROD MOUNT

251 PPP000CWR010097101 SHROUD MT BLOCK
252 PPP000CWR010110101 STEP SPACER
253 PPP000CWR010112101 CABLE STOP
256 PPP000CWR050057101 END CAP
259 PPP00000HMCN010075 SCREW, HEX HD, METRIC, M10 X 75L
261 PPP0000MAGCN005020 SCREW, FLAT HD, PHIL, M5X.8 X 20, Z
299 PPP000CWR010073101 GUIDE ROD WEAR RING